

Backwash filter pureliQ:R Backwash filter pureliQ:RD

Intended use

The backwash filters pureliQ:R and pureliQ:RD are designed for the filtration of drinking and industrial water.

The backwash filter pureliQ:RD with pressure reducer in addition is suitable for the adjustment of the after-pressure on the withdrawal side.

The filters can be used for positive pressure and negative pressure applications. The backwash and the adjustment of the after-pressure on the withdrawal side, however, only works when applied in the positive pressure range.

The filters are not suitable for circulation water that is treated with chemicals.

They are neither suitable for oils, greases, solvents, soaps and other lubricating media, nor for the separation of water-soluble substances.

The backwash filters pureliQ:R and pureliQ:RD are designed according to the stipulations of DIN EN 13443-1 and DIN 19628 and are intended for installation into drinking water pipes according to DIN EN 806-2 (installation directly downstream of the water meter).

They protect the water pipes and connected water-carrying system

parts from disturbances and corrosion damage due to undissolved impurities (particles), such as rust particles, sand, etc.

Function

The unfiltered drinking water flows into the filter from the inlet side and then from the outside in through the filter element and to the pure water outlet. Thus, foreign particles of a size > 100 µm are retained.

Depending on their size and weight, the foreign particles either stick to the filter element or they fall straight down into the filter cylinder.

By turning the backwash mechanism to the stop position, the drain is opened. The water flows through the primary screen to the filter element and then flows through the filter element in reverse direction of standard filtration. Thanks to Grünbeck's innovative Vortex technology, particles sticking to the filter element are detached and washed out to the drain.

The backwash process should be carried out for approx. 5 - 10 seconds. In case some particles still remain on the filter element, the backwash has to be repeated. Grünbeck recommends performing a backwash every two months.

By means of the flow-optimised pressure reducer of the backwash filter pureliQ:RD, which is designed according to DIN EN 1567, the after-pressure on the withdrawal side can be set to 1 - 6 bar (factory setting: 4 bar).

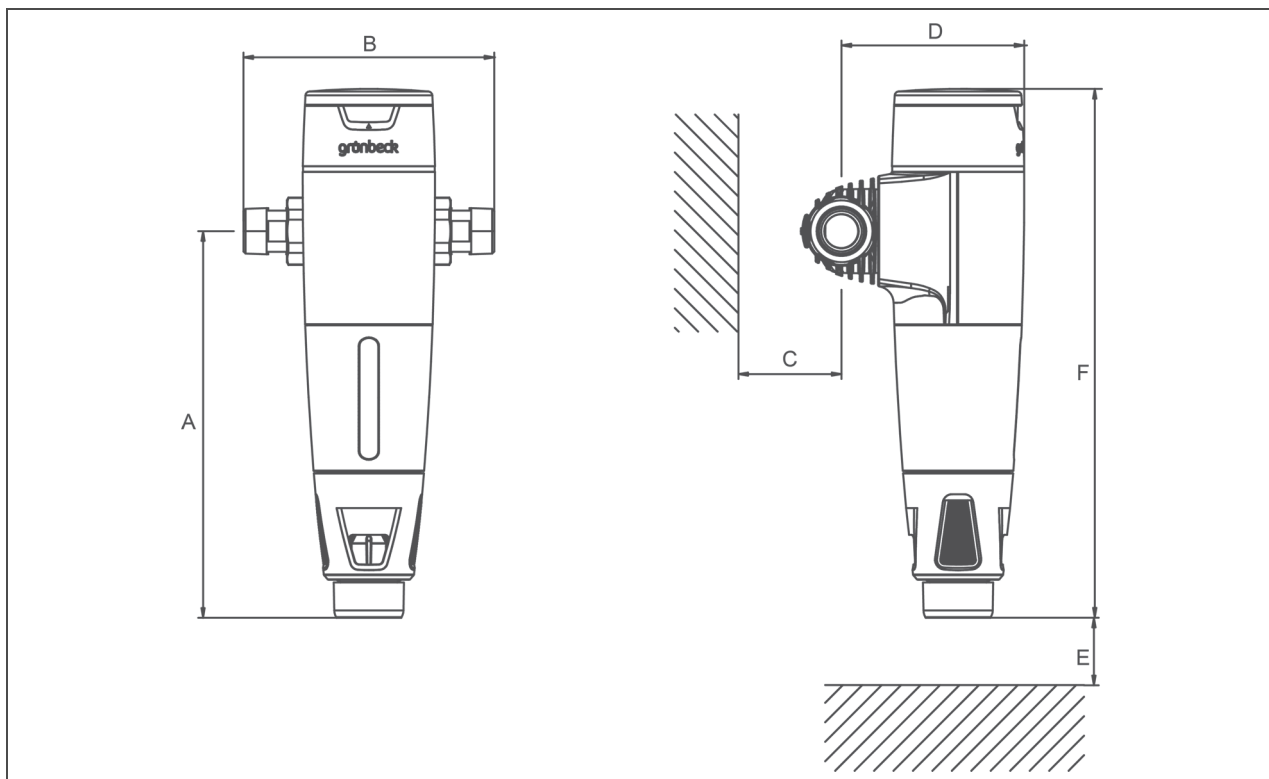
Design

- Closed, easy-to-clean system surface.
- Removable cover to protect the filter cylinder and filter element from UV light.
- Inspection window integrated in the cover to determine the degree of impurities in the filter element.
- Filter head made of pressure-resistant plastic with clearly legible interval indicator for backwash interval.
- Filter element made of stainless steel fabric.
- Rotatable click-type connection flange to easily set the flow direction
- Water meter screw connections made of dezincification-resistant brass
- Flexible drain connection with integrated free outlet
- Hose adapter for a clean backwash even without a drain connection on site
- In order to set and indicate the after-pressure on the outlet side, a pressure reducer with pressure gauge is integrated in the filter head of the pureliQ:RD.
- All water contacting parts comply with the German Drinking Water Ordinance. Test regulations: KTW, DVGW W 270, DIN 50930-6.

Scope of supply

- Backwash filter pureliQ:R or pureliQ:RD, complete with filter element and pre-assembled connection flange
- Water meter screw connection
- Seals
- Operation manual
- Hose adapter

Technical specifications I

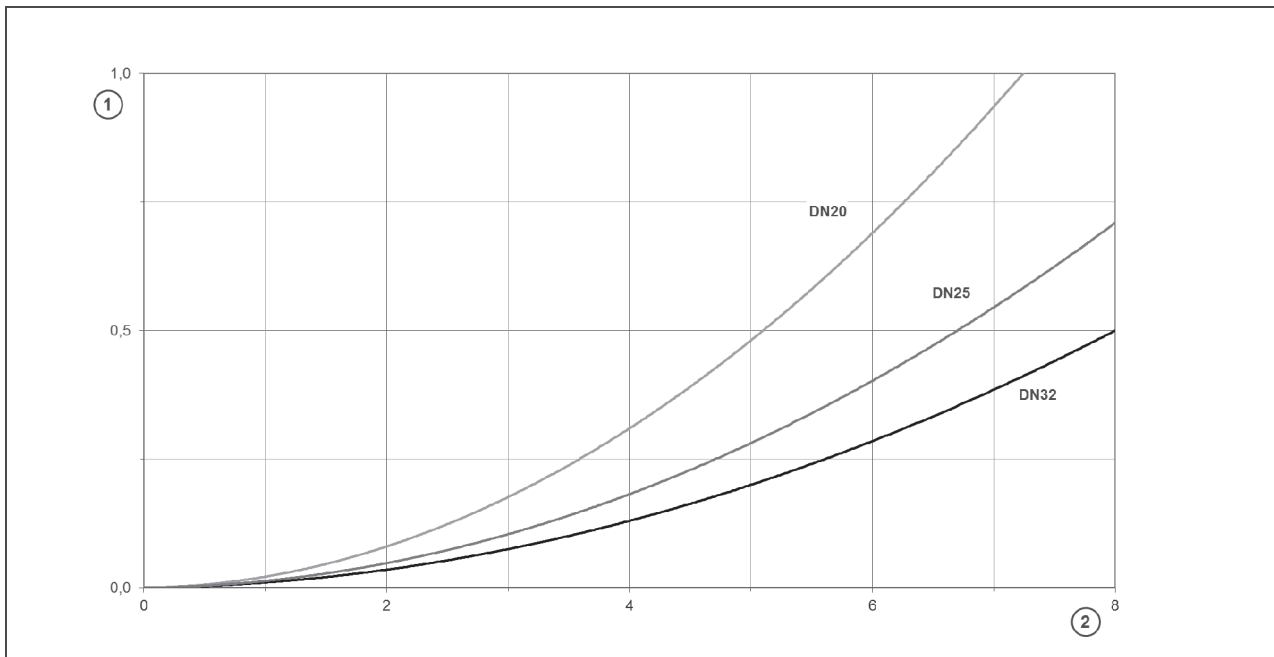


Dimensions and weights		pureliQ:R			pureliQ:RD			
A	Height up to centre of connection	[mm]	285					
B	Installation length with/without screw connection	[mm]	185/100	182/100	191/100	185/100	182/100	191/100
C	Min. distance to wall	[mm]	50					
D	Installation depth up to centre of connection	[mm]	135	135	145	135	135	145
E	Total height	[mm]	385	385	385	405	405	405
	Empty weight	[kg]	1.6	1.8	2.0	1.8	2.0	2.2
	Operating weight, approx.	[kg]	2.1	2.3	2.5	2.3	2.5	2.7
	Order no.		101 320	101 325	101 330	101 370	101 375	101 380

Technical specifications II

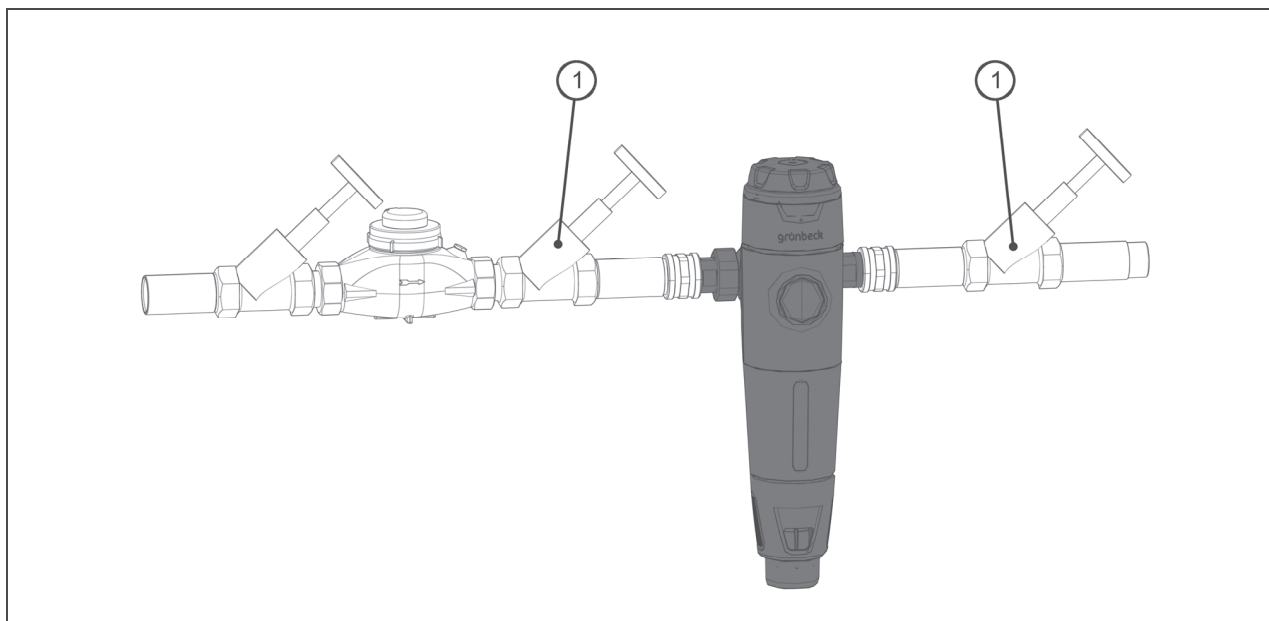
Connection data		pureliQ:R			pureliQ:RD		
Nominal connection diameter		DN 20	DN 25	DN 32	DN 20	DN 25	DN 32
		¾"	1"	1¼"	¾"	1"	1¼"
Drain connection		DN 50					
Performance data							
Nominal flow at Δp 0.2 (0.5) bar	[m³/h]	3.2 (5.1)	4.2 (6.7)	5.0 (8.0)	-	-	-
Flow rate as per DIN EN 1567	[m³/h]	-	-	-	2.3	3.6	5.8
K _v value	[m³/h]	7.2	9.5	11.3	-	-	-
Pore size	[µm]	100					
Largest/smallest pore size	[µm]	120/80					
Operating pressure	[bar]	2 - 16					
Nominal pressure		PN 16					
General							
Water temperature	[°C]	5 – 30					
Ambient temperature	[°C]	5 - 40					
DVGW registration number		pending					
SVGW certificate number		pending					
Order no.		101 320	101 325	101 330	101 370	101 375	101 380

Pressure loss curve of pureliQ:R



Item	Description	Item	Description
1	Differential pressure [bar]	2	Flow rate [m³/h]

Installation example



Item	Designation	Item	Designation
1	Shut-off valve		

Installation requirements

Observe local installation directives, general guidelines and technical specifications.

The installation site must be frost-proof and ensure the filter's protection from chemicals, dyes, solvents, vapours and direct sunlight.

The installation site must be well accessible for maintenance purposes.

Contact

Grünbeck Wasseraufbereitung
GmbH
Josef-Grünbeck-Str. 1
89420 Hoehstaedt/Germany

☎ +49 9074 41-0

☎ +49 9074 41-100

✉ info@gruenbeck.com

www.gruenbeck.com