

Mobile Heating Water Treatment System GENO®-VARIO mini

Designated application

The GENO®-VARIO mini is designed for the specialised tradesman in order for him to perform the treatment of circulation water. In Germany, requirements according to VDI 2035 do apply.

The GENO®-VARIO mini may only and exclusively be used for the treatment of water in closed heating or cooling cycles.

For the duration of the treatment, the GENO®-VARIO mini is integrated into the cycle in the form of a bypass.

The GENO®-VARIO mini can be used in new or existing systems.

Function

The function of the GENO®-VARIO mini is based on the well-proven processes of filtration and softening or demineralisation.

The GENO®-VARIO mini is integrated into the filled up heating or cooling cycle as a bypass. Part of the circulation water permanently flows through the GENO®-VARIO mini. Previous draining or flushing is not required.

Initially, the filter removes undissolved impurities such as rust or dirt particles. Afterwards, the circulation water - depending on the accessories used - flows through the softening or the reusable

cartridge (demineralisation cartridge).

When filling new systems, the cycle may be filled with drinking water. The treatment of the circulation water by means of the GENO®-VARIO mini only takes place shortly before the start-up of the heating/cooling cycle. Thus, optimum water quality is achieved. In Germany, requirements according to VDI 2035 do apply.

The make-up water feed or filling of the cycle as per DIN EN 1717 can be realised by means of the integrated filling group.

The GENO®-VARIO mini is available with or without GENO®-Multi-LF. The GENO®-Multi-LF is only applied for demineralisation.

Design

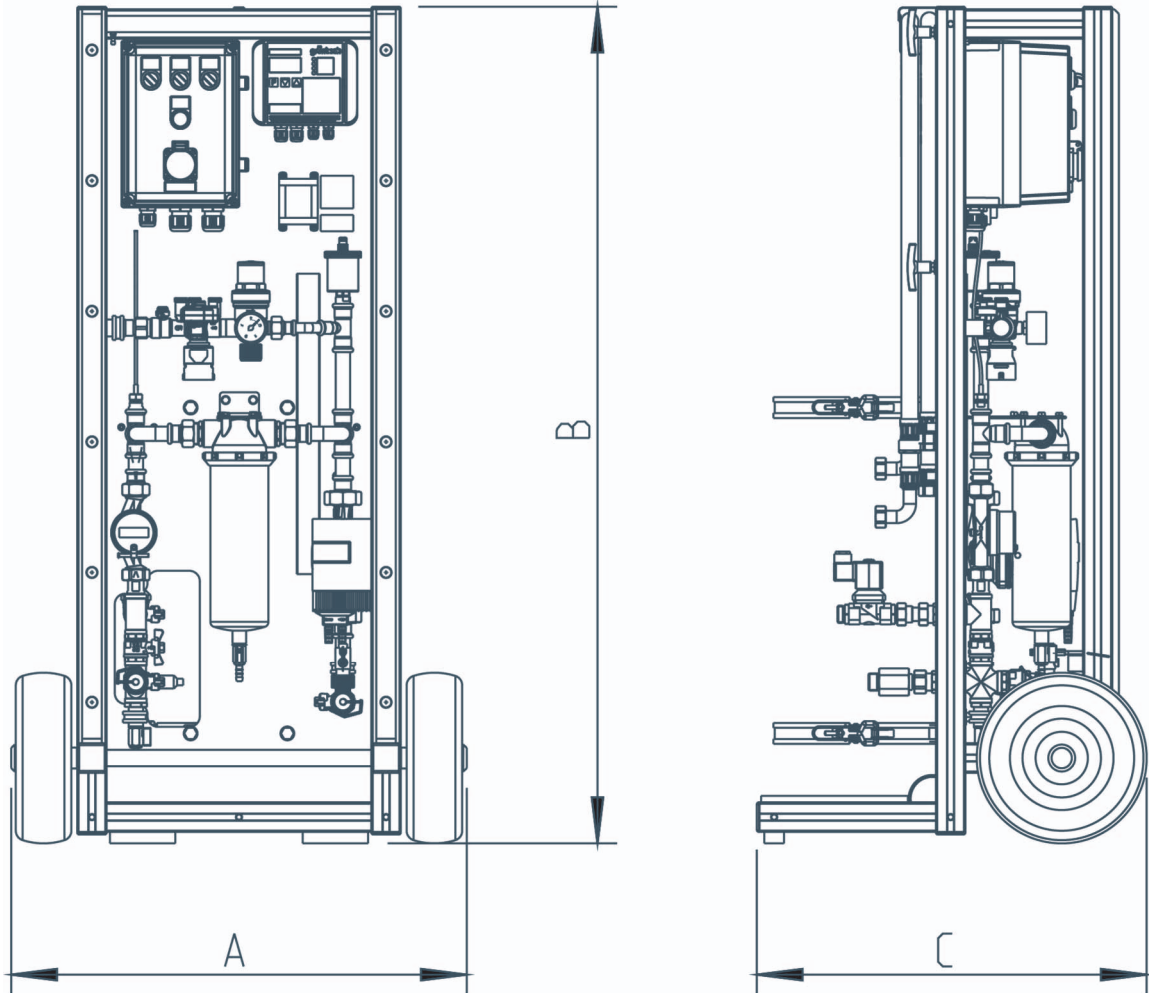
- Mobile, anodised aluminium rack for horizontal or upright transportation.
- Circulation pump
- Filling group for make-up water feed or filling, incl. system separator as per DIN EN 1717
- Fine filter with deep-bed filter element (100 µm)
- Water meter with reset function and flow indicator

- Automatic deaeration
- Flow monitoring with automatic switch-off function
- Temperature monitoring with automatic switch-off at 60 °C or 80 °C
- Easy to operate control unit
- Conductivity meter (variant only) with solenoid valve and automatic switch-off function

Scope of supply

- System ready for connection
- 2 Connection hoses DN 20, each 1.5 m in length, with union nuts 3/4" on both sides
- 2 Connection hoses DN 20, each 1.5 m in length, with union nuts 3/4" on both sides, one connection with 90° elbow
- Operation manual

Technical specifications I



Dimensions and weights

A	System width	[mm]	697
B	System height	[mm]	1280
C	System depth	[mm]	595
	Operating weight (depends on accessories)	[kg]	85 - 109
	Empty weight	[kg]	47

Technical specifications II

Connection data		
Nominal connection diameter	[DN (thread)]	20 (3/4" male)
Power supply	[V]/[Hz]	230/50
Performance data		
Nominal pressure (drinking water inlet)	[PN]	10
Nominal pressure (cycle)	[PN]	6
Min./max. operating pressure (cycle)	[bar]	1.5/4
Circulation capacity*	[l/h]	500 - 1000
Circulation capacity of filtration*	[l/h]	200 - 1400
General data		
Setting range of pressure reducer	[bar]	0.2 - 4
Water temperature (inlet)	[°C]	5 - 65
Water temperature (cycle)	[°C]	5 - 80
Ambient temperature	[°C]	5 - 40
Order no.		707 550
Order no. (variant incl. GENO®-Multi-LF)		707 550.01

*Depending on the pollution of the filter and the accessories used.

Installation requirements

Please observe local installation directives, general guidelines and technical specifications.

The installation site must be frost-proof and ensure the system's protection from chemicals, dyes, solvents and vapours.

In case of make-up water feed and filling, a drinking water filter must be installed upstream of the system.

A shock-proof socket is required for electrical installation.

The installation room must have a floor drain. If no floor drain is available, an appropriate safety device (e. g. GENO-STOP®) has to be installed.

Accessories

Reusable GENO-therm® cartridge 825 - max. 60°C (demineralisation) Order no. 707 070

Capacity 825 µS/cm x m³ at
50 µS/cm

Reusable GENO-therm® cartridge 1160 - max. 60°C (demineralisation) Order no. 707 080

Capacity 1160 µS/cm x m³ at
50 µS/cm

Reusable GENO-therm® cartridge 1615 - max. 60°C (demineralisation) Order no. 707 090

Capacity 1615 µS/cm x m³ at
50 µS/cm

GENO-therm® softening cartridge 100 - max. 60°C Order no. 707 730

Softening capacity 100 m³ x °dH at
< 0.1°dH

GENO-therm® softening cartridge 135 - max. 60°C Order no. 707 735

Softening capacity 135 m³ x °dH at
< 0.1°dH

GENO-therm® softening cartridge 180 - max. 60°C Order no. 707 740

Softening capacity 180 m³ x °dH at
< 0.1°dH

Strap wrench for diameters up to 170 mm Order no. 105 805

Hose set DN 20 union nut 3/4" straight/straight 1.5 m Order no. 707 840

2 hoses, 2 double nipples,
incl. seals

Hose set DN 20 union nut 3/4" straight/90° 1.5m Order no. 707 845

2 hoses, 2 double nipples,
incl. seals

Consumables

Deep-bed filter element 25 µm Order no. 707 570

2 pcs in cardboard box

Deep-bed filter element 50 µm Order no. 707 575

2 pcs in cardboard box

Deep-bed filter element 100 µm Order no. 707 580

2 pcs in cardboard box

Deep-bed filter element 150 µm Order no. 707 585

2 pcs in cardboard box

Grünbeck Wasseraufbereitung GmbH
Josef-Grünbeck-Str. 1
89420 Hoechstädt
Germany

Phone +49 9074 41-0
Fax +49 9074 41-100

info@gruenbeck.com
www.gruenbeck.com